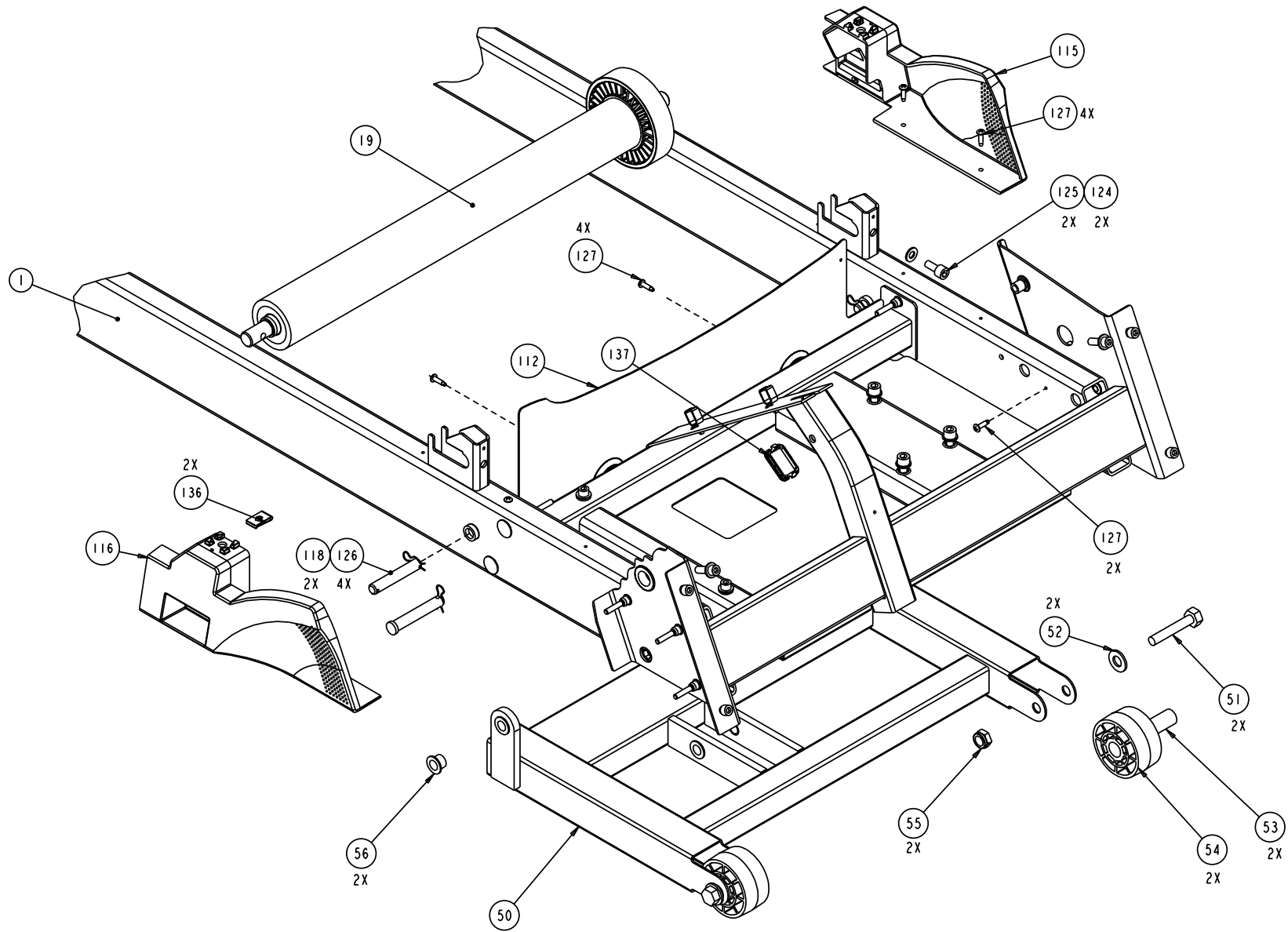
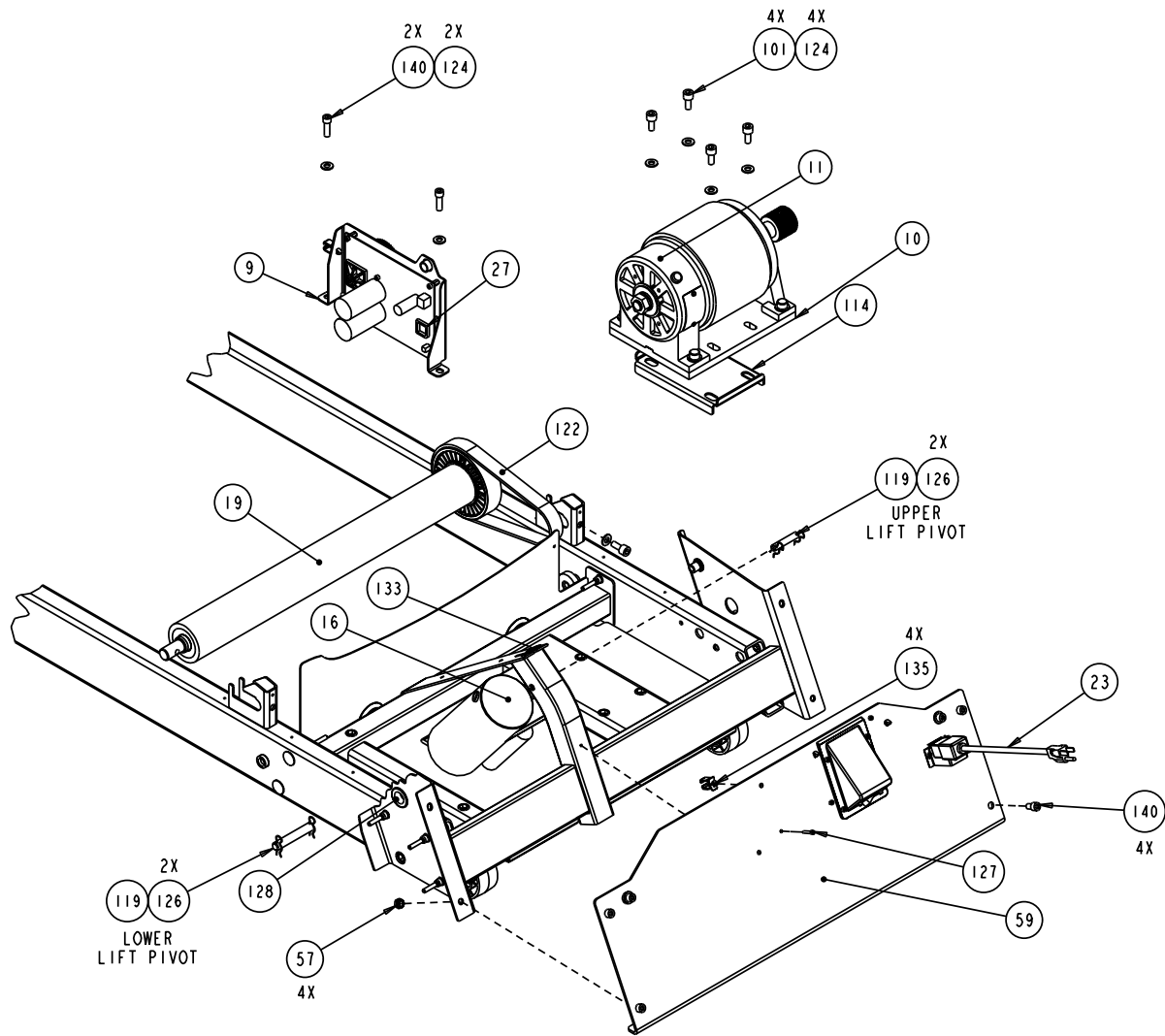


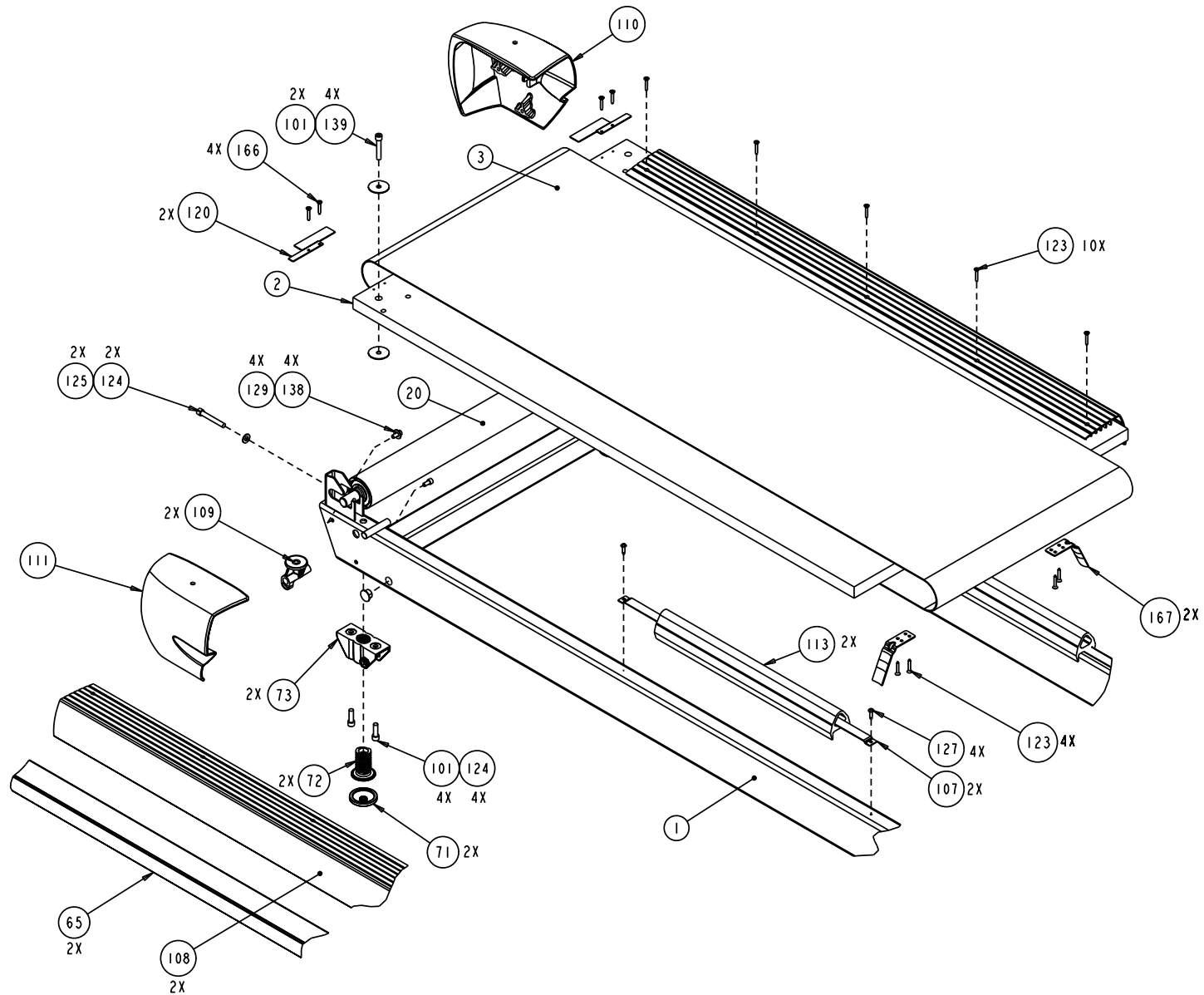
C934	P/N 45788-102	REV: K
DRAWN BY: GRANADOSIN	DATE: 05.07.04	SHEET 1 OF 8



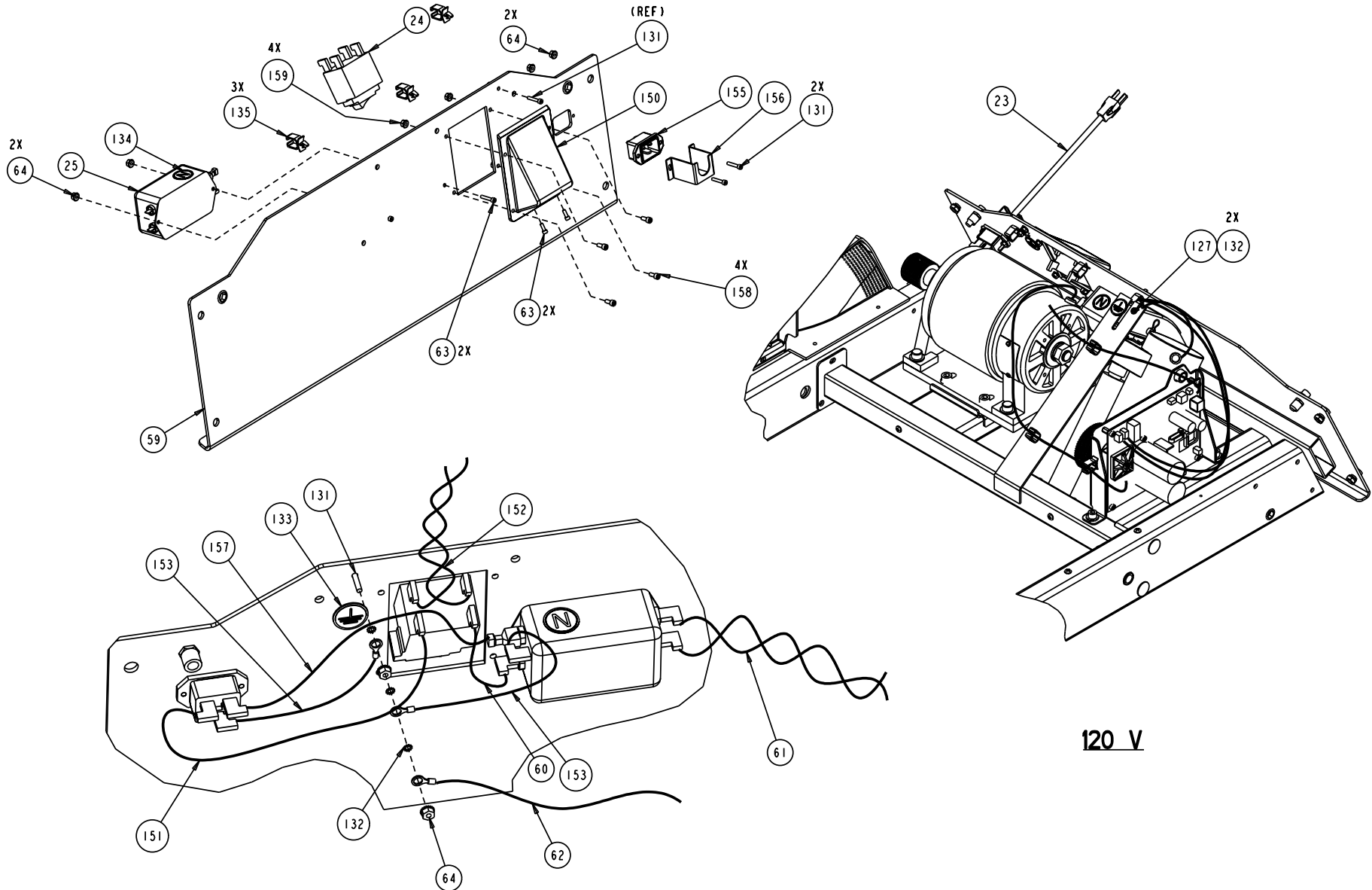
C934	P/N 45788-102	REV: K
DRAWN BY: GRANADOSIN	DATE: 05.07.04	SHEET 2 OF 8



C934	P/N 45788-102	REV: K
DRAWN BY: GRANADOSIN	DATE: 05.07.04	SHEET 3 OF 8

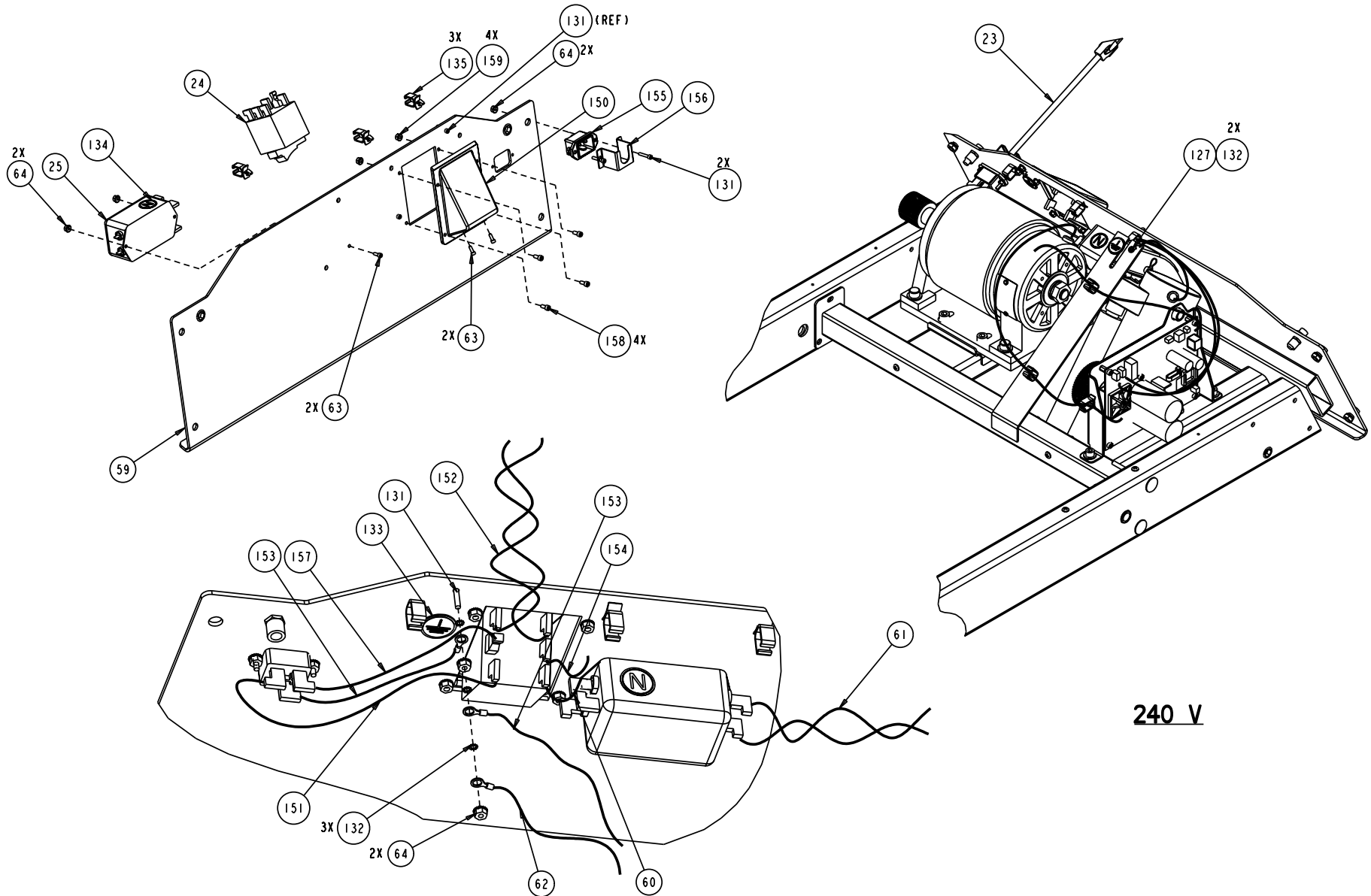


C934	P/N 45788-102	REV: K
DRAWN BY: GRANADOSIN	DATE: 05.07.04	SHEET 4 OF 8



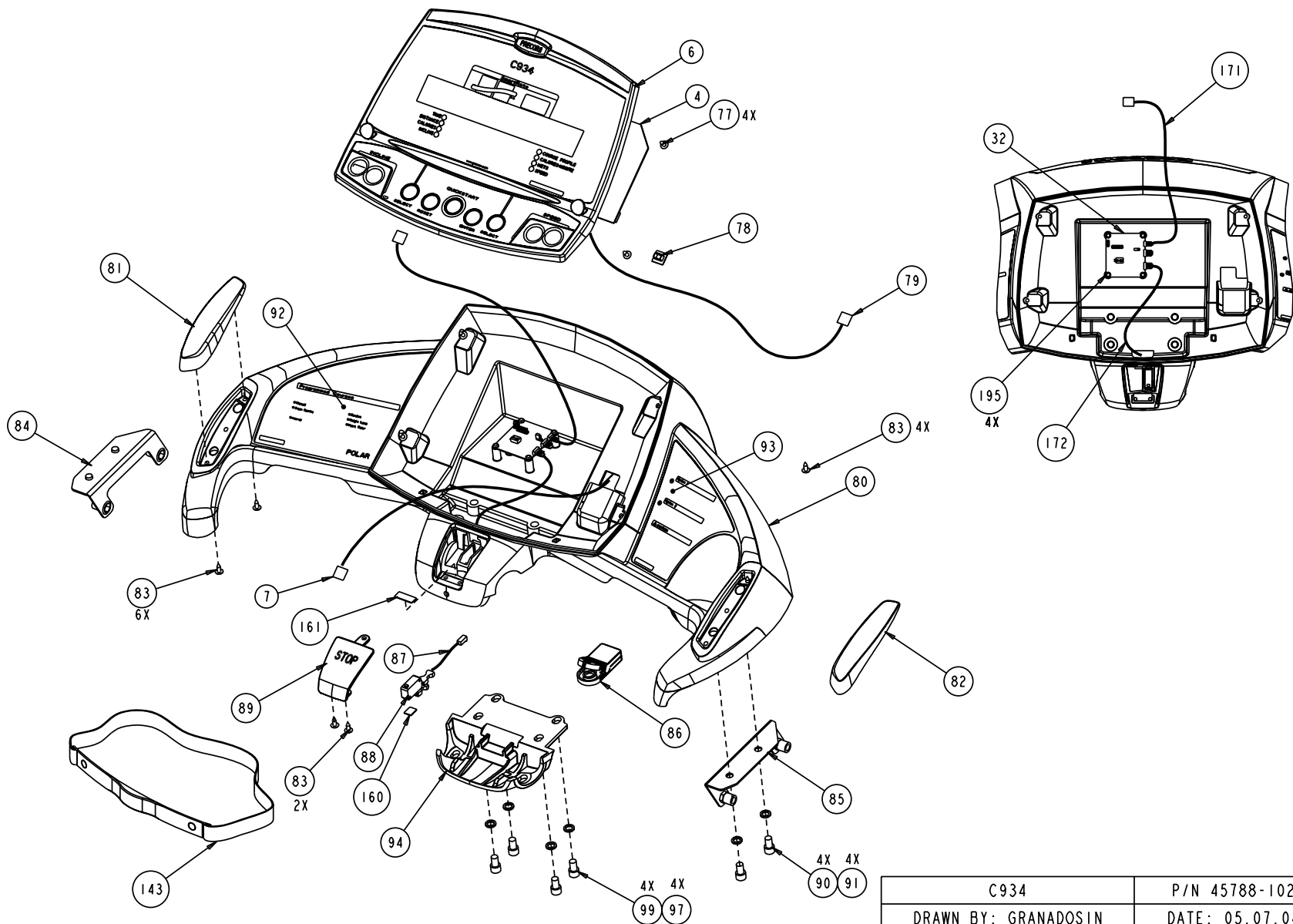
**WIRING DETAIL**  
SOME DETAIL REMOVED FOR CLARITY

C934	P/N 45788-102	REV: K
DRAWN BY: GRANADOSIN	DATE: 05.07.04	SHEET 5 OF 8

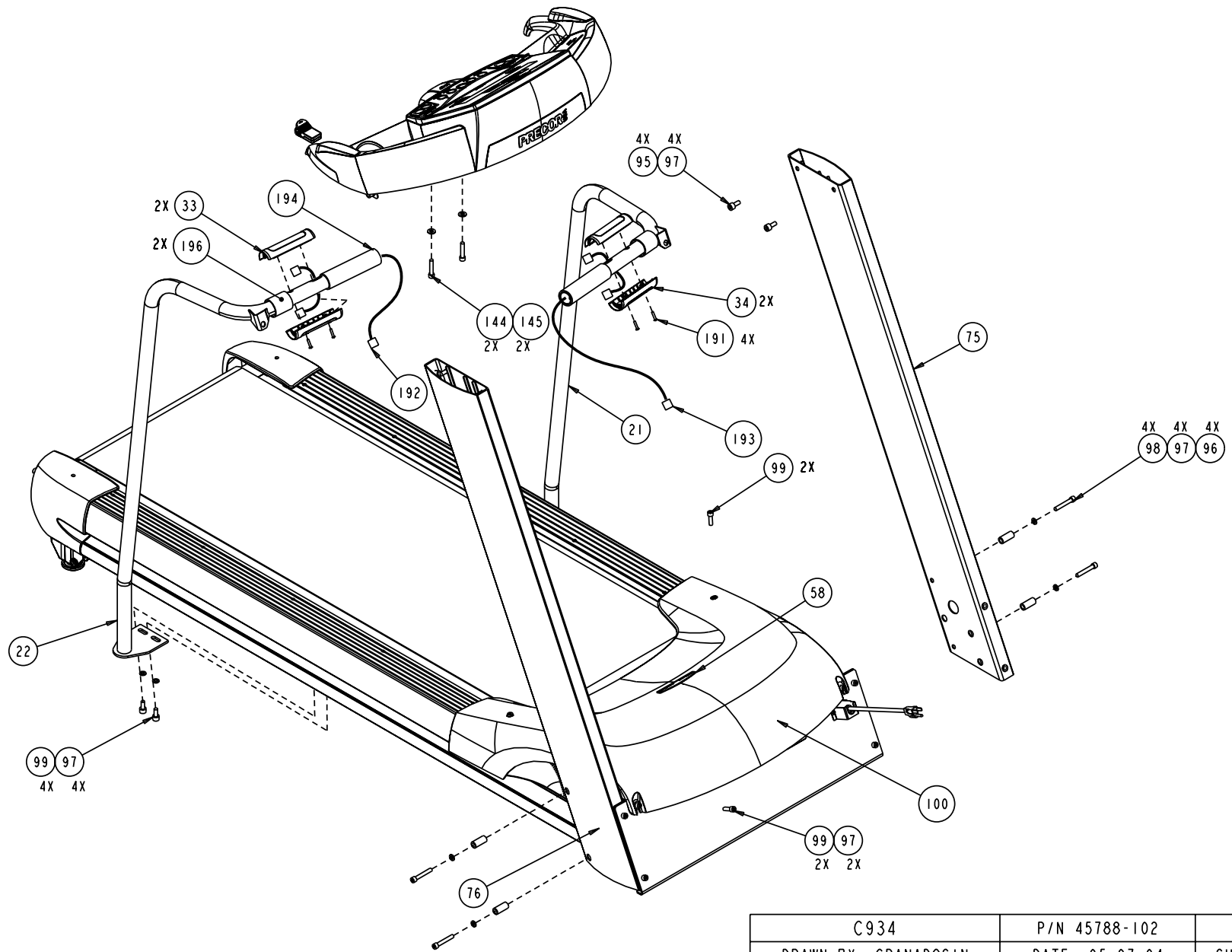


**WIRING DETAIL**  
 SOME DETAIL REMOVED FOR CLARITY

C934	P/N 45788-102	REV: K
DRAWN BY: GRANADOSIN	DATE: 05.07.04	SHEET 6 OF 8



C934	P/N 45788-102	REV: K
DRAWN BY: GRANADOSIN	DATE: 05.07.04	SHEET 7 OF 8



C934	P/N 45788-102	REV: K
DRAWN BY: GRANADOSIN	DATE: 05.07.04	SHEET 8 OF 8